

- GPS, Balanced SAW Filter
- Revision 0: April 2014

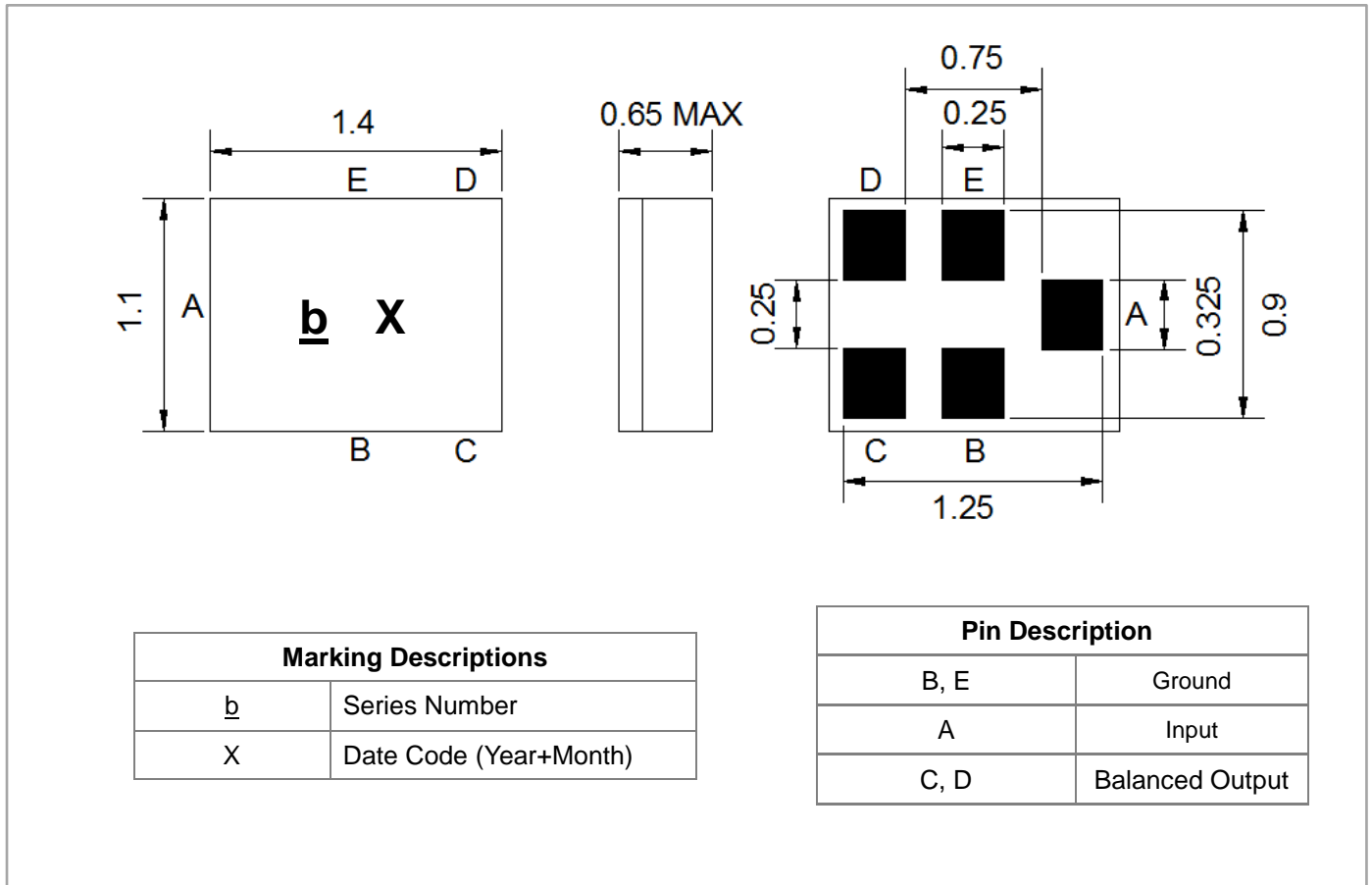
Electrical Characteristics

MAXIMUM RATING				
PARAMETERS DESCRIPTION	UNIT	MINIMUM	TYPICAL	MAXIMUM
Operating Temperature Range	°C	-40	-	+85
Storage Temperature Range	°C	-55	-	+95
Maximum DC Voltage	V	-	-	3
Maximum Input Power	dBm	-	-	10
Source Impedance (unbalanced) ⁽¹⁾	Ω	-	50	-
Load Impedance (balanced) ⁽¹⁾	Ω	-	100	-
Package type & size	C21			
Length x Width	mm ²	-	1.4 x 1.1	-
Height	mm	-	-	0.65

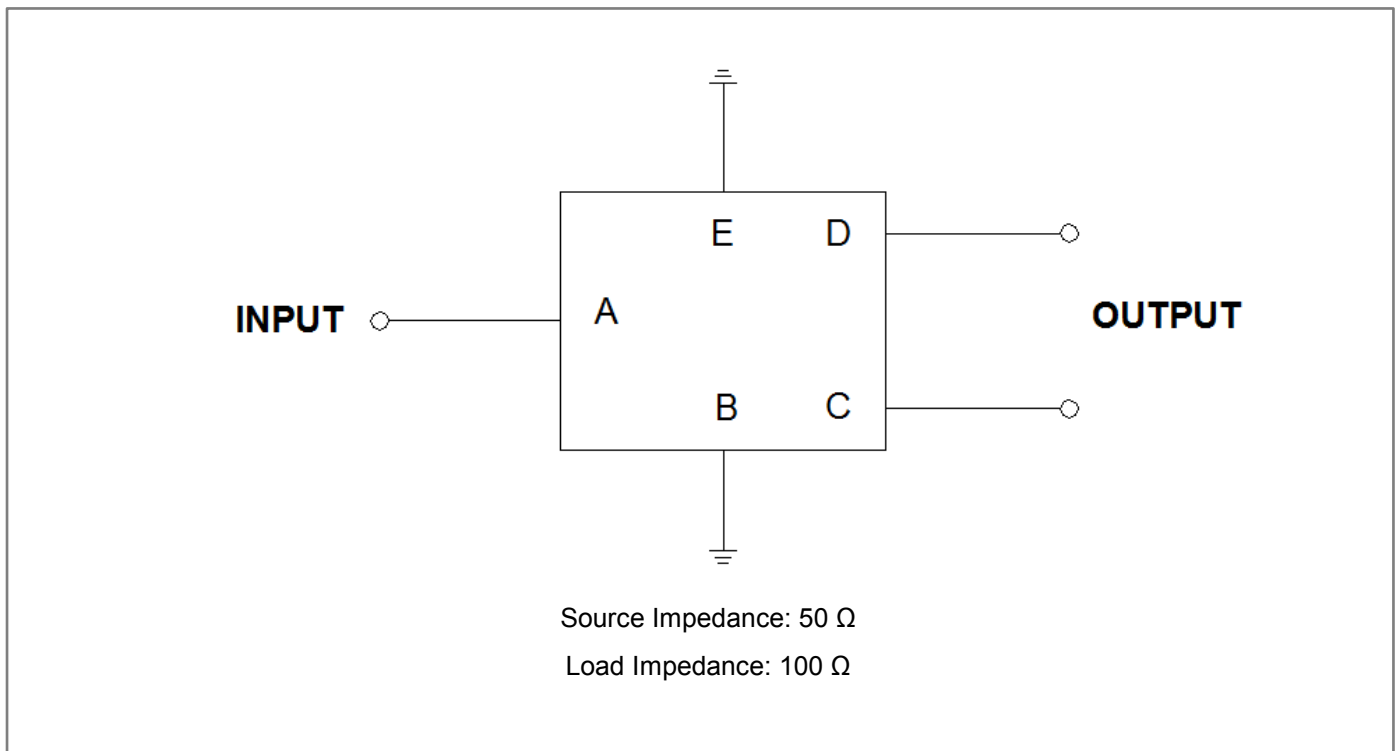
ELECTRICAL SPECIFICATION				
PARAMETERS DESCRIPTION	UNIT	MINIMUM	TYPICAL	MAXIMUM
Center Frequency (Fo)	MHz	-	1575.42	-
Insertion Loss within 1574.42~1576.42 MHz	dB	-	1.1	2.0
Amplitude Ripple within 1574.42~1576.42 MHz	dB _{p-p}	-	0.1	0.8
Attenuation:				
100.0 ~ 960.0 MHz	dB	40	54	-
960.0 ~ 1425.0 MHz	dB	35	46	-
1425.0 ~ 1475.0 MHz	dB	30	45	-
1475.0 ~ 1515.0 MHz	dB	20	33	-
1515.0 ~ 1525.0 MHz	dB	17	38	-
1625.0 ~ 1635.0 MHz	dB	5	15	-
1635.0 ~ 1675.0 MHz	dB	20	33	-
1675.0 ~ 1750.0 MHz	dB	30	34	-
1750.0 ~ 1805.0 MHz	dB	35	43	-
1805.0 ~ 1980.0 MHz	dB	40	47	-
1980.0 ~ 2400.0 MHz	dB	35	42	-
2400.0 ~ 3155.0 MHz	dB	40	43	-
3155.0 ~ 6000.0 MHz	dB	35	41	-
VSWR within 1574.42~1576.42 MHz	-	-	1.5	2.4

Notes: (1) No Matching Network (Ref. Testing Environment Circuit as shown below).

Package Dimensions

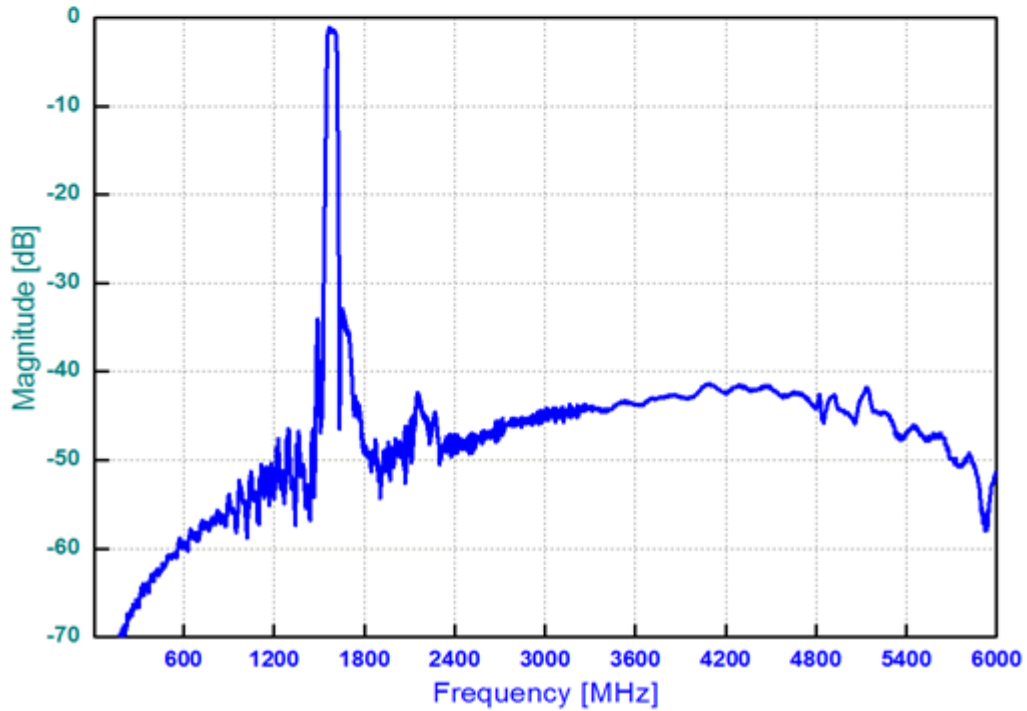
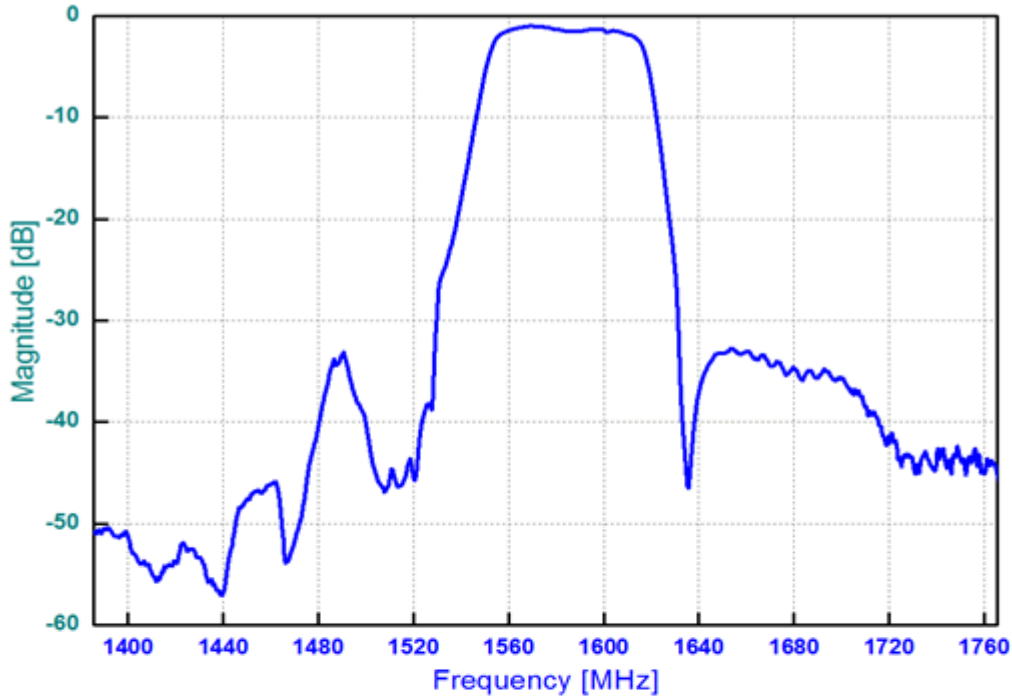


Testing Environment

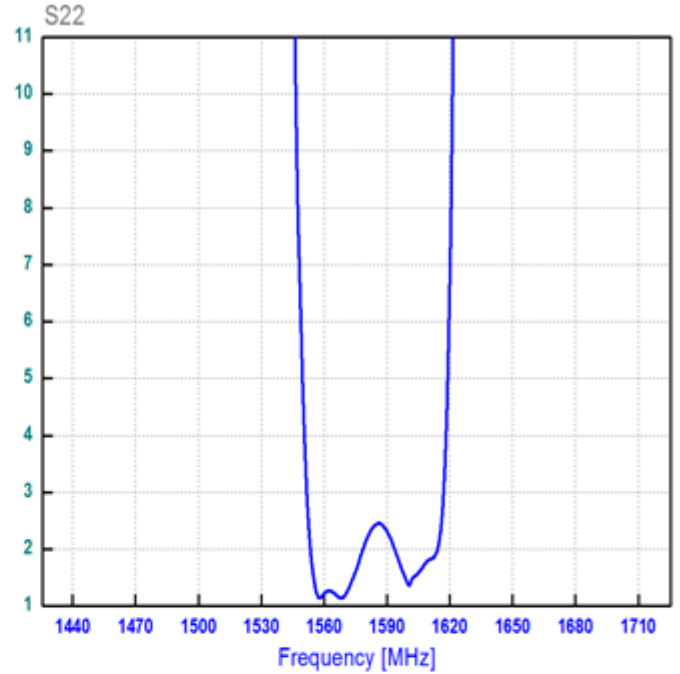
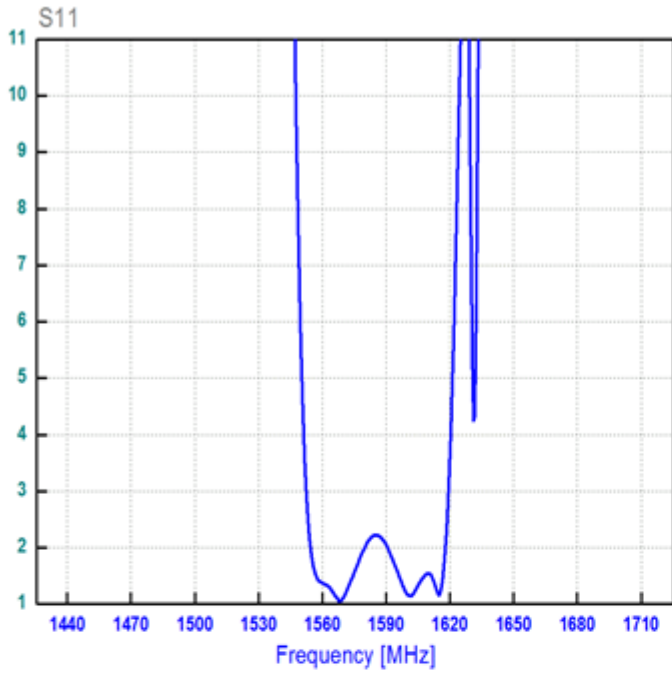


Frequency Characteristics

Frequency Response



VSWR



Smith Chart

